



MASTERK
THE MASTERS OF INDUSTRIAL WEIGHING

萬特佳

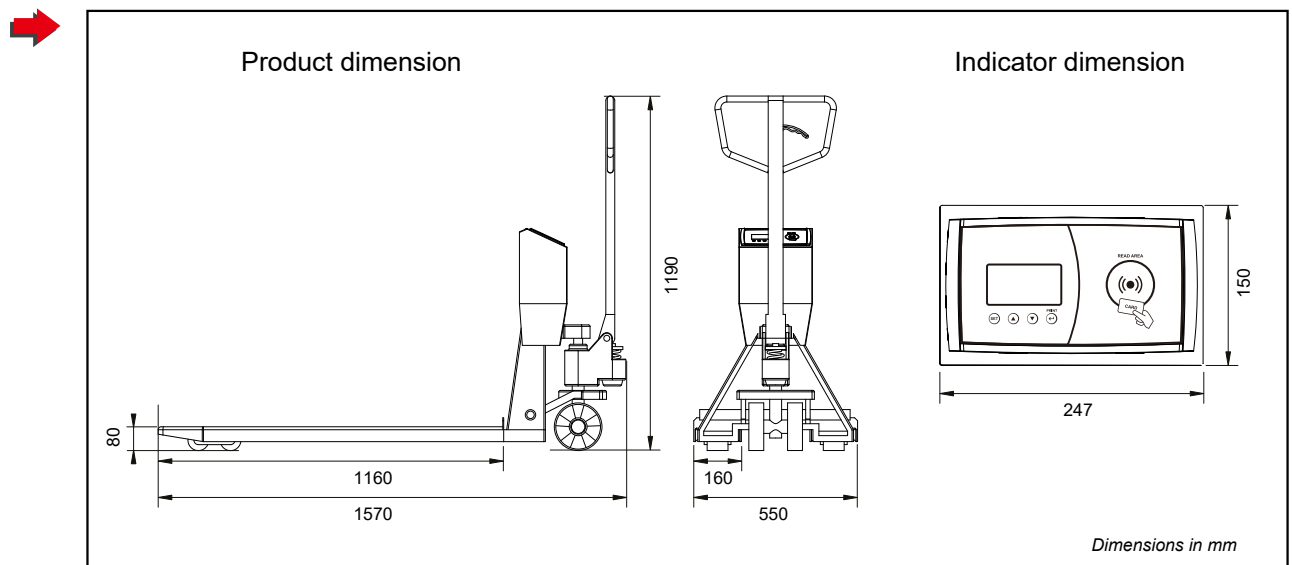
Smart Pallet Truck Scale



Description

- ➔ - All-In-One Weighing Indicator with smart card identification
- Build-in Bluetooth 4.0 for data upload thru Cloud as Big Data Analysis
- Waste type IC card
- QR code scanner
- Display (128 x 64 pixels) with white backlight
- User Friendly Keypad, only 4 keys (Set - Up – Down – Print/Enter)

Plan/Size



THE MASTERS OF INDUSTRIAL WEIGHING





MASTERK

THE MASTERS OF INDUSTRIAL WEIGHING

萬特佳

Characteristics

INDICATOR CHARACTERISTICS

Capacity	1000kg
Graduation	0.5kg
Case material	Plastic Panel
User input	Smart card / Waste type IC card / QR code scanner
Buttons	Set, Up, Down, Print/Enter
Display	(128x64 pixel) with white backlight
Display size	73 x 40mm
Wireless technology	Bluetooth 4.0

SCALE CHARACTERISTICS

Platform size	550 x 1160mm
Product finishing	Mild Steel structure & Powder coated
Overall size	1570 x 1190 x 550 mm
Power	Rechargeable battery (AC adapter)
Load cells	4pcs
Cylinder	Integrate cylinder casting
Wheel	Front-back wheel is using PU wheel of iron core
Handle	With Rubber Grips

THE MASTERS OF INDUSTRIAL WEIGHING

