



MASTERK
THE MASTERS OF INDUSTRIAL WEIGHING

萬特佳

THE MASTERS OF INDUSTRIAL WEIGHING

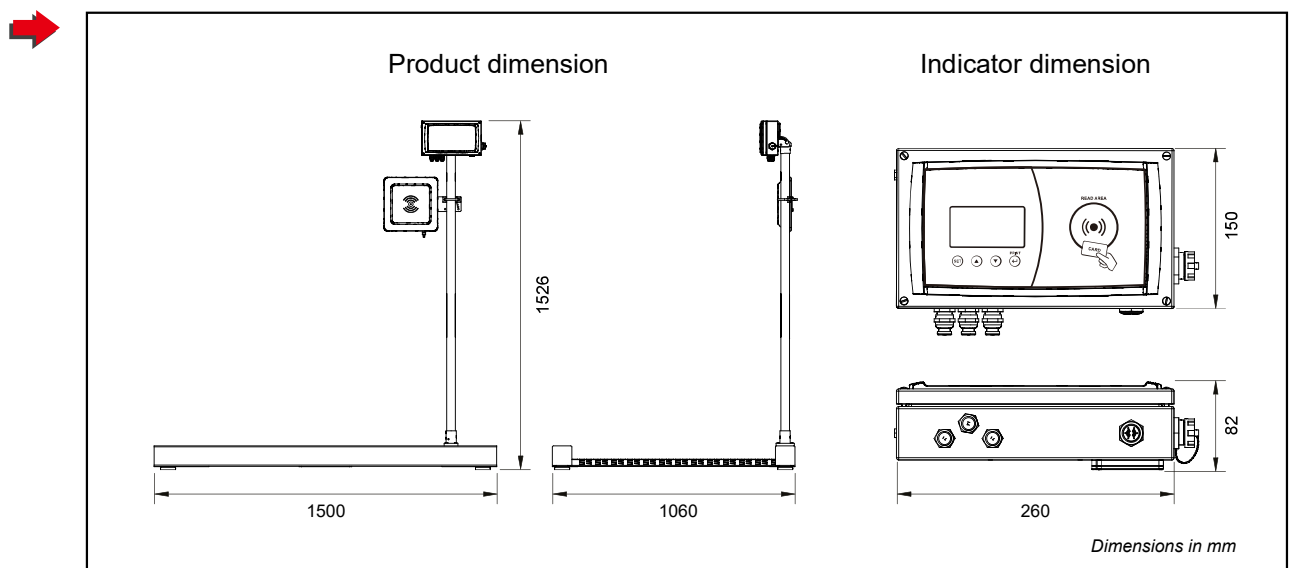
Smart Bin Scale



Description

- ➔ - All-In-One Weighing Indicator with smart card identification
- Build-in Bluetooth 4.0 & USB for data upload thru Cloud as Big Data Analysis
- RFID identification for Garbage bin
- Display (128 x 64 pixels) with white backlight
- User Friendly Keypad, only 4 keys (Set - Up – Down – Print/Enter)
- IP65 Stainless Steel casing for considering of Garbage storage condition.

Plan/Size





MASTERK

THE MASTERS OF INDUSTRIAL WEIGHING

萬特佳

Characteristics

INDICATOR CHARACTERISTICS

Capacity	500kg
Graduation	200g
Waterproof level	IP65
Case material	Stainless Steel
User input	Smart card reader
Buttons	Set, Up, Down, Print/Enter
Output	USB
Display	(128x64 pixel) with white backlight
Display size	73 x 40mm
Power	AC adapter or battery 4xAA
Wireless technology	Bluetooth 4.0
Cable	Anti-rat bite design
Connector plug	Aviation connector plug
Indicator Size	150 x 260 x 82mm

SCALE CHARACTERISTICS

Platform size	1500 x 1060mm
Diameter SS pole	38mm Diameter
Indicator supporter	SS indicator adjustable supporter (20-90 degree)
Platform finishing	Grey powder coating
Platform plate	Anti-skid pattern
Ramp	20cm
Bin use	Fit for DIN EN480 bin standard
Feet	Adjustable
Overall size	1500 x 1060 x 1526 mm

THE MASTERS OF INDUSTRIAL WEIGHING

