



**MASTERK**  
THE MASTERS OF INDUSTRIAL WEIGHING

**萬特佳**

THE MASTERS OF INDUSTRIAL WEIGHING

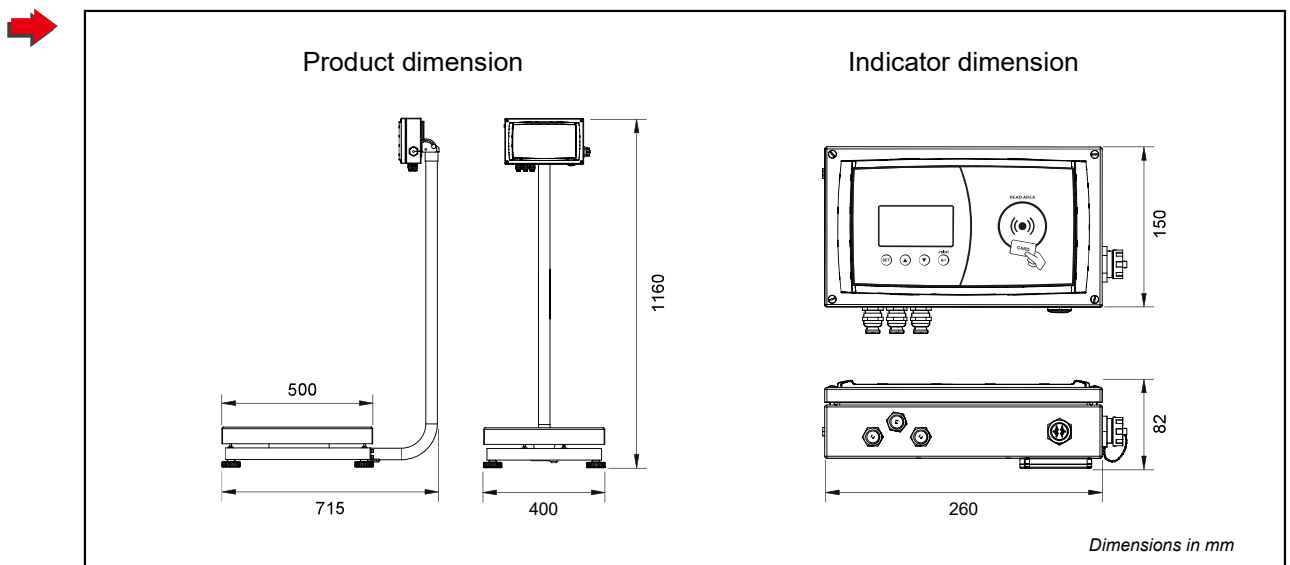
# Smart Floor Scale



## Description

- ➔ - All-In-One Weighing Indicator with smart card identification
- Build-in Bluetooth 4.0 & USB for data upload thru Cloud as Big Data Analysis
- Display (128 x 64 pixels) with white backlight
- User Friendly Keypad, only 4 keys (Set - Up – Down – Print/Enter)
- IP65 Stainless Steel casing for considering of Garbage storage condition.

## Plan/Size





# MASTERK

THE MASTERS OF INDUSTRIAL WEIGHING

# 萬特佳

## Characteristics

### INDICATOR CHARACTERISTICS

Capacity	150kg
Graduation	50g
Waterproof level	IP65
Case material	Stainless Steel
User input	Smart card reader
Buttons	Set, Up, Down, Print/Enter
Output	USB
Display	(128x64 pixel) with white backlight
Display size	73 x 40mm
Power	AC adapter or battery 4xAA
Wireless technology	Bluetooth 4.0
Cable	Anti-rat bite design
Connector plug	Aviation connector plug
Indicator Size	150 x 260 x 82mm

### SCALE CHARACTERISTICS

Platform size	500 x 400mm
Diameter SS pole	38mm Diameter
Indicator supporter	SS indicator adjustable supporter (20-90 degree)
Platform finishing	Stainless steel hair line brush
Platform accessories	Metal Tray (Optional)
Feet	Adjustable
Overall size	1160 x 715 x 400 mm

THE MASTERS OF INDUSTRIAL WEIGHING

