

The Masters of Industrial Weighing

CPFN-A DIGITAL LOAD CELL

15 - 30 - 50 t



3 years warranty

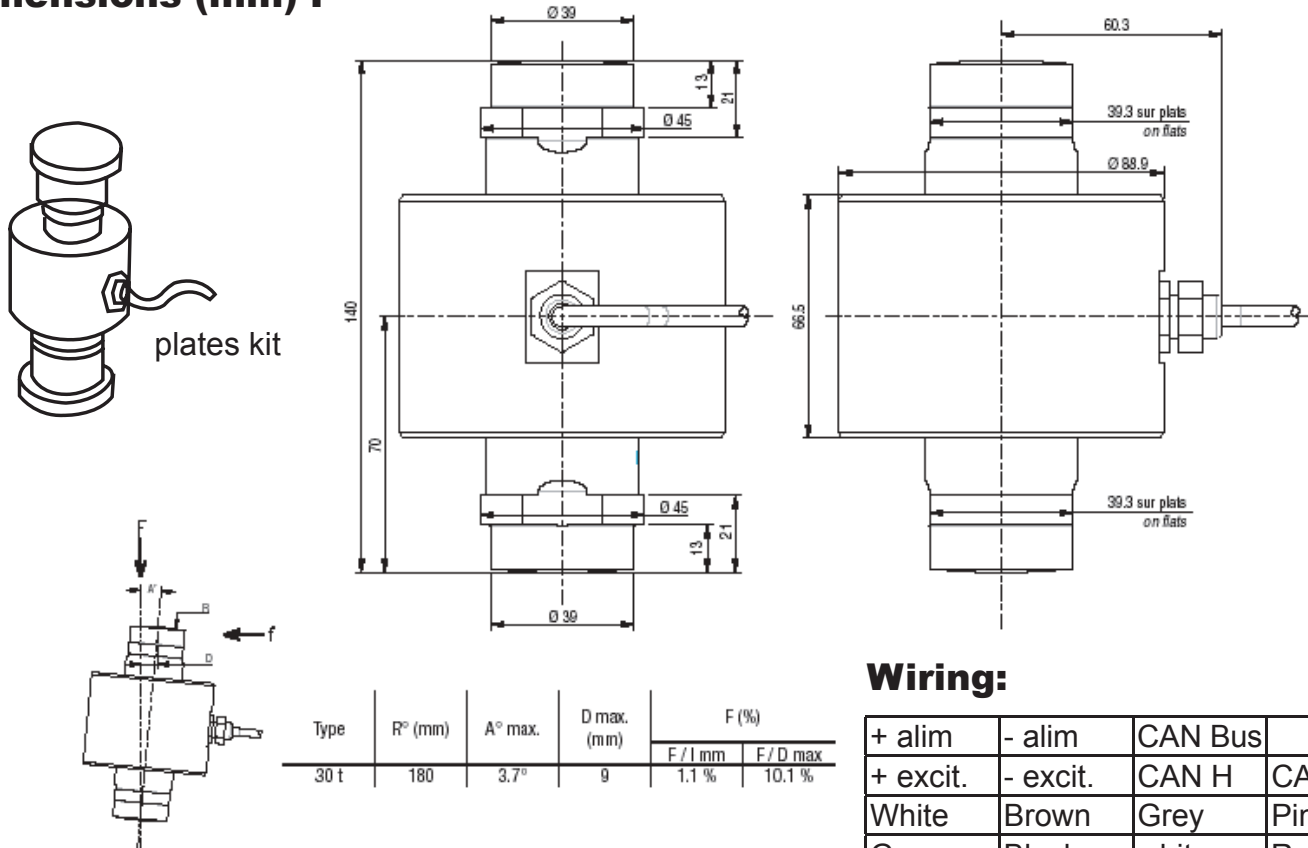
The CPFN-A digital load cell is the best technological solution for weighbridge weighing.

Main features:

- Compression load cell made of stainless steel.
- IP 68 protection.
- Approved up to 5000d OIML R60.
- High speed digital output signal (CAN Bus).
- Inbuilt overvoltage protection.
- Spherical and self centering base load cell.



Dimensions (mm) :



Wiring:

+ alim	- alim	CAN Bus	
+ excit.	- excit.	CAN H	CAN L
White	Brown	Grey	Pink
Green	Black	white	Red

Type	R° (mm)	A° max.	D max. (mm)	F (%)	
				F / l mm	F / D max
30 t	180	3.7°	9	1.1 %	10.1 %

**A COMPLETE
AND INNOVATING RANGE
OF WEIGHING EQUIPMENT...**

ELECTRICAL SPECIFICATIONS		
Nominal sensitivity	± 100 000 digits	
Input voltage	7.5...16 V	
Current consumption	30 mA	
Converter rate	Delta Sigma	
Internal resolution	24 bits	
Measuring rate	40 conv./sec.	
CAN interface communication rate	125000 bits/s	
METROLOGICAL SPECIFICATIONS	C315e	C515e
Rated capacity	15, 30, 50 t	15, 30, 50 t
Combined error	0.010 %Cn	0.017 %Cn
Temp. Coef. of zero	0.0014 %Cn/°C	0.0014 %Cn/°C
Temp. Coef. of sensitivity	0.0014 %Cn/°C	0.0014 %Cn/°C
Creep error (30 min.)	0.011 %Cn	0.025 %Cn
LEGAL METROLOGY OIML R60 SPECIFICATIONS / OIML R60		
Accuracy class	C3	C5
Maximum capacity (E _{max})	15 t - 30 t – 50 t	15 t - 30 t – 50 t
Max number of LC intervals (N _{max})	3 000 d OIML	5 000 d OIML
Y= E _{max} / v _{min}	15 000	15 000
Z=E _{max} / (2xDR)	8000	8000
GENERAL SPECIFICATIONS		
Nominal temperature range	-10.....+40 °C	
Service temperature range	-10.....+60 °C	
Safe load limit	150 %E _{max}	
Ultimate breaking load	200 %E _{max}	
Level of protection	IP68	
Material	Stainless steel	
Cable length	15m	
Net weight	3kg	