

The Masters of Industrial Weighing

VIGILE TERM TERMINAL

- ◆ The Vigile Term terminal will attract your attention by his design and will convince you by his easy use
- ◆ In connection with a permanent computer system
- ◆ It guarantees the traceability and the weighing operations availability 24h/24h



CHARACTERISTICS :

- > Box: - reinforced thermo-forming,
- 600 x 600 x 350 mm
- > Thermostated
- > Driver interface:
 - LCD panel, 2 lines of 16 characters, height: 12.7 mm
 - Backlight display
- > Power supply: 240V – 50 Hz – 150 VA
- > Standard Colors: Terminal grey RAL 9002, foot blue RAL 5009

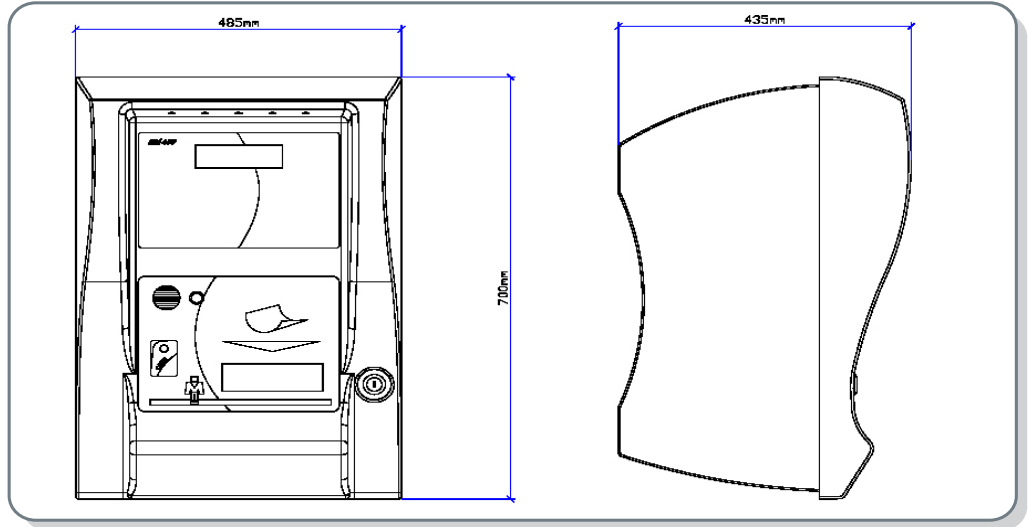
OPTIONS :

- > Height of foot: vehicles or pedestrian
- > Height of foot: heavy truck
- > Alphanumeric or numeric keyboard
- > Includes a matrix printer with ink ribbon
 - Automatic weighing ticket cutter
 - Large capacity of paper rolls (200 tickets name)
- > Light control and barrier control
- > Intercom master station in control room
- > RFID - 1 card reader
- > RFID - 2 card reader
- > Keyboard of 51 buttons (keyboard IDe 400)
- > Numeric keyboard of 12 buttons

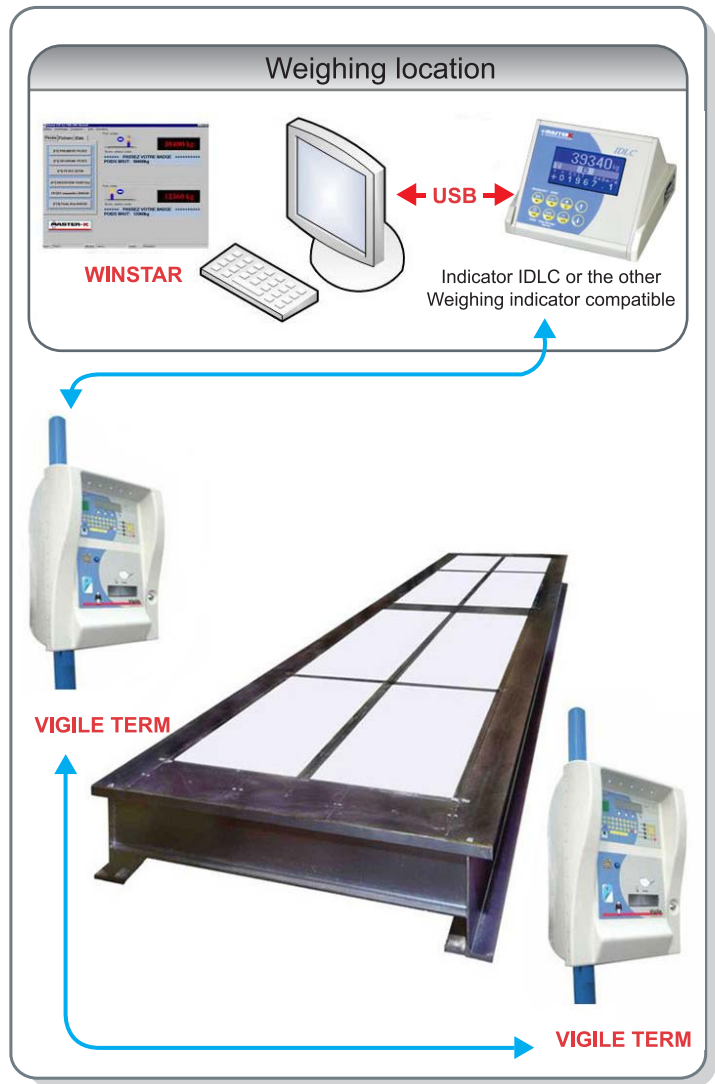
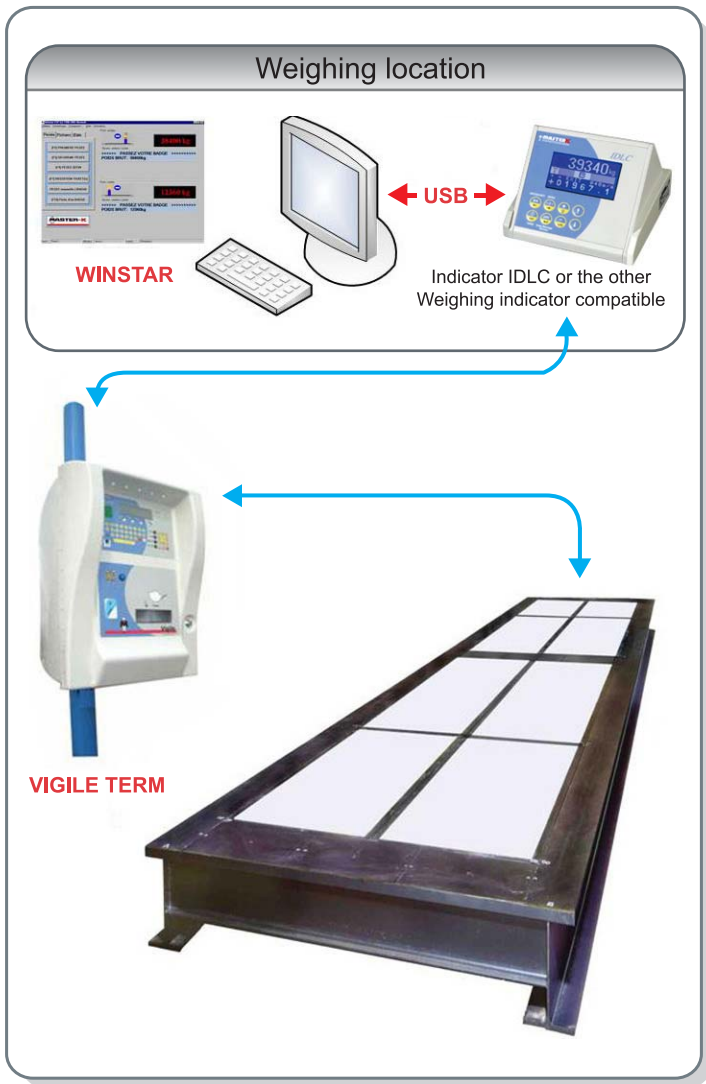
A COMPLETE AND INNOVATING RANGE OF WEIGHING EQUIPMENT...

In option :
Double terminal

Dimensions :



Examples of configuration



MASTER K WEIGHING TECHNOLOGIES (ASIA PACIFIC) LIMITED
Room 401, Eastern Centre, 1065 King's Road, Quarry Bay, Hong Kong
Tel: (852) 2960-7288 Fax: (852) 2565-9672 E-mail: enquiry@masterk.com

Supported by the Group company certified :

